

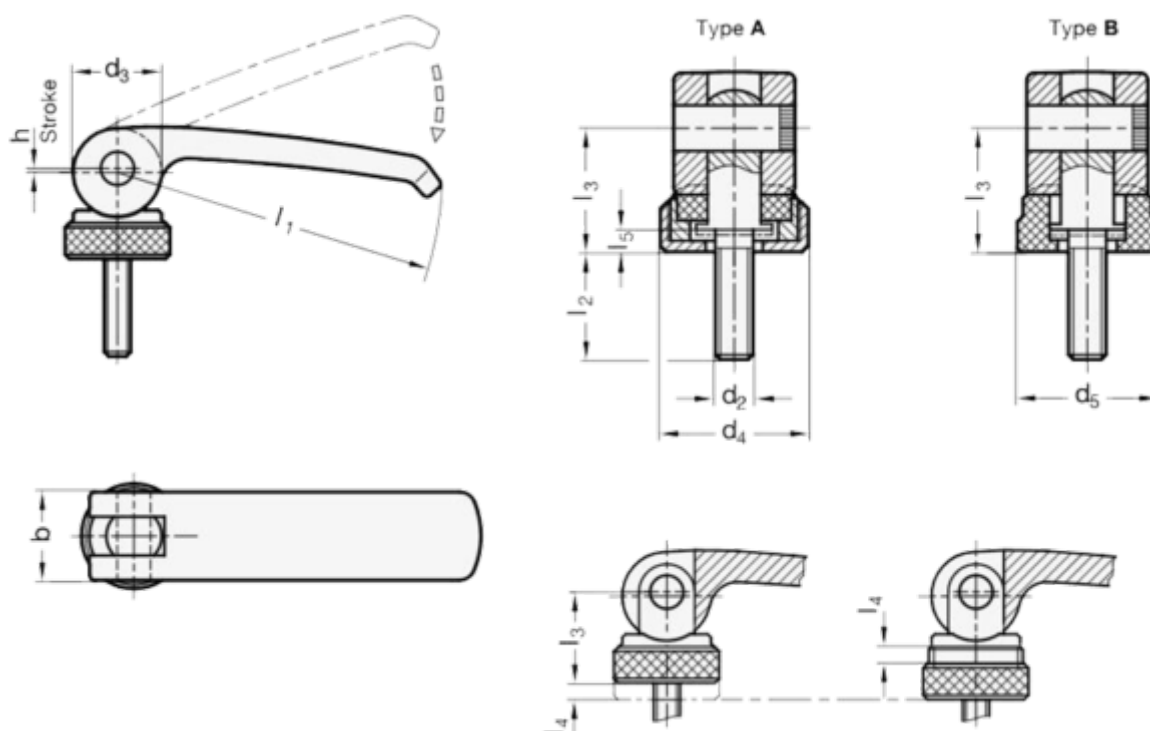
Data Sheet



Article number: 209277101M820A

Description: E+G Clamping lever GN 927.7-101-M8-20-A
Male thread

Measures



b = 25
d2 = M8
d4 = 30
d5 =
l1 = 101
l2 = 20